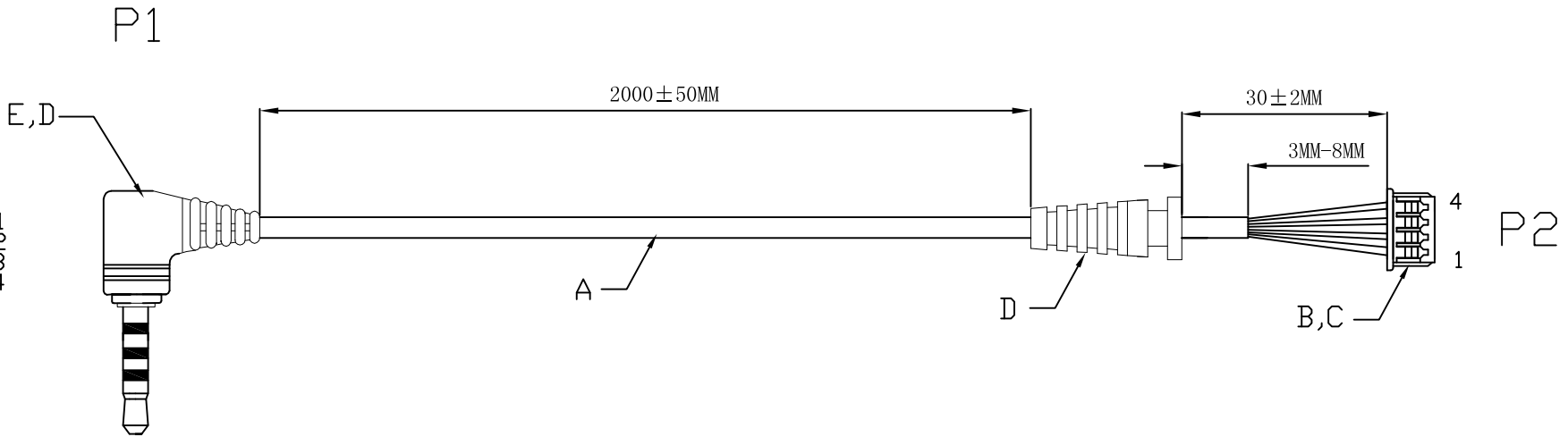
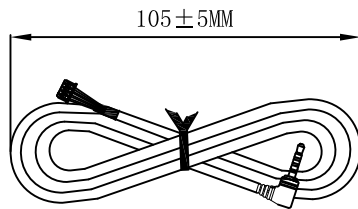


# RoHS

Version No.	Modification	Date
A	change 6+-2mm to 3-8mm	Apr 25,2016



package:




### PIN WIRING

P1 PIN 1	<u>RED</u>	P2 PIN 2
P1 PIN 2	<u>YELLOW</u>	P2 PIN 3
P1 PIN 3	<u>WHITE</u>	P2 PIN 1
P1 PIN 4	<u>GREEN</u>	P2 PIN 4

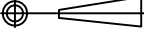
E	PLUG	2.5/4 PLUG GOLDEN-PLATED	1PCS	
D	PVC	PVC BLACK	14g	
C	TERMINAL	MLX51021-T(equivalent)	4PCS	
B	HOUSING	MLX51021-4P(equivalent)	1PCS	
A	CABLE	NDUL#30*4C (7/0.1AS) RED,YELLOW,GREEN,WHITE ID0.75MM OD2.3MM JACKET:BLACK PVC	1PCS	

NO.	Product name	Specification	Q' TY	Remark
-----	--------------	---------------	-------	--------



## Ecocables Electronics Co.,Ltd

www.ecocables.net

Customer	Customer No.	Product name	
Material name	Approved	Tim. Z	
Unit	Scale	Free	Checked
mm		Drawn by	Tim. Z
		Daivid.L	Revision date
		Percy.F	Apr 25,2016
			Drawn date
			Feb 26,2016

1

2

3

4

5